

Bay State Wind Restructuring Roundtable

Thomas Brostrøm, President, Ørsted North America

March 16, 2018



About Bay State Wind



Global Leadership

20+ year record of success

Proven Expertise

23 successful offshore wind farms totalling 4.4 GW capacity

Record of Success

On-budget and on-time large-scale projects



Transmission Expertise

Premier transmission builder in New England

Massachusetts Roots

Deep-rooted knowledge of the region's electrical grid

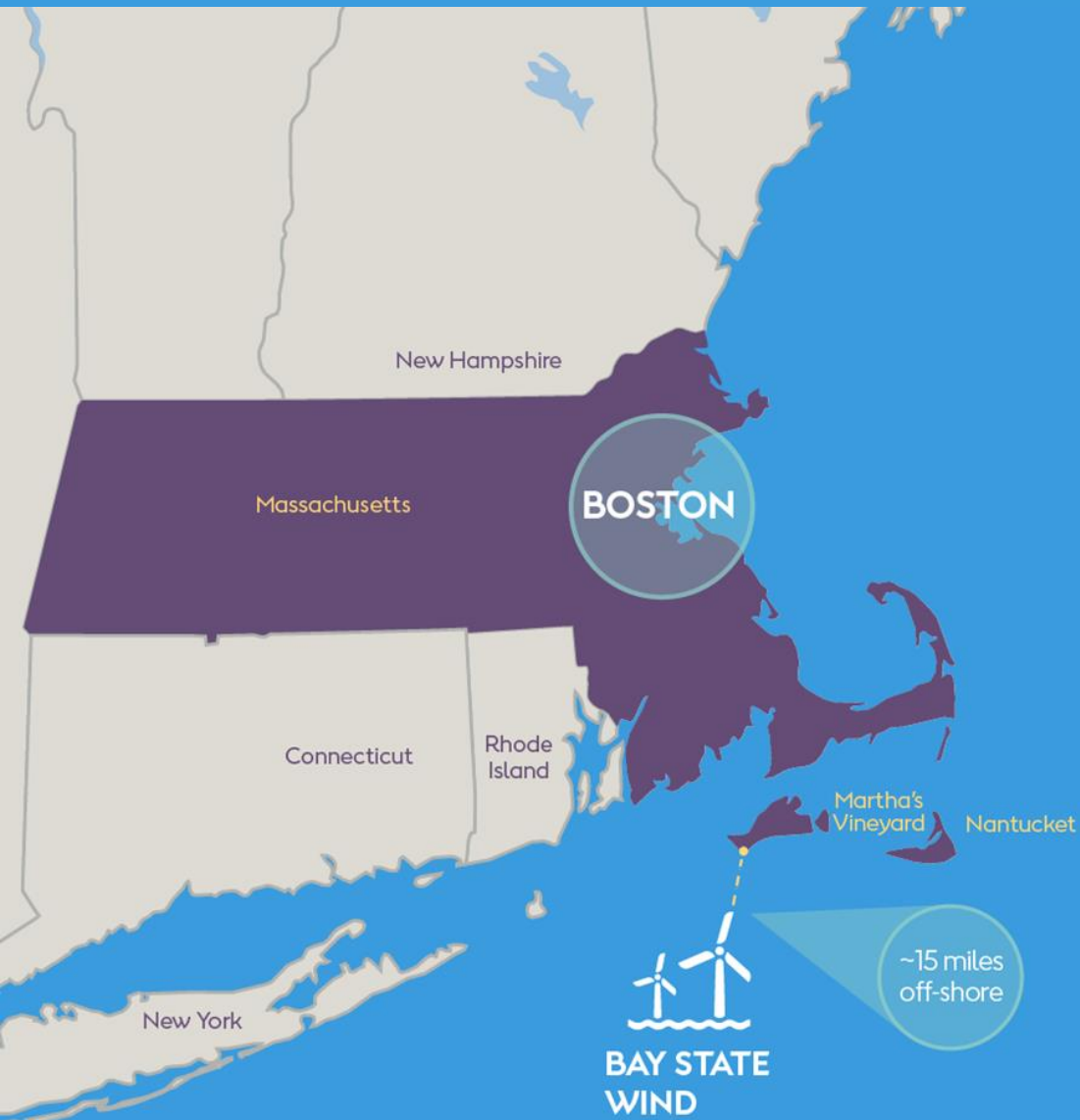
Longstanding Leader

100+ year history of operation in Massachusetts

Global offshore wind expertise meets New England transmission expertise

**the Clear Choice for
Massachusetts**

Our Bid: Delivering the best to Massachusetts



+ Global expertise and innovative technology leadership to **make Massachusetts the U.S. hub for offshore wind**



+ **Utility scale** project to offer **aggressive pricing** and maximize **economic benefits**



+ **Local supply chain** investments to revitalize **Brayton Point** and **New Bedford** communities



+ **\$1 billion** in direct investments to launch a new American industry, with **Massachusetts as the hub**



Bay State Wind: Innovation & Technology Leader



Utility-scale projects maximize economies of scale: providing **more power, more efficiently**

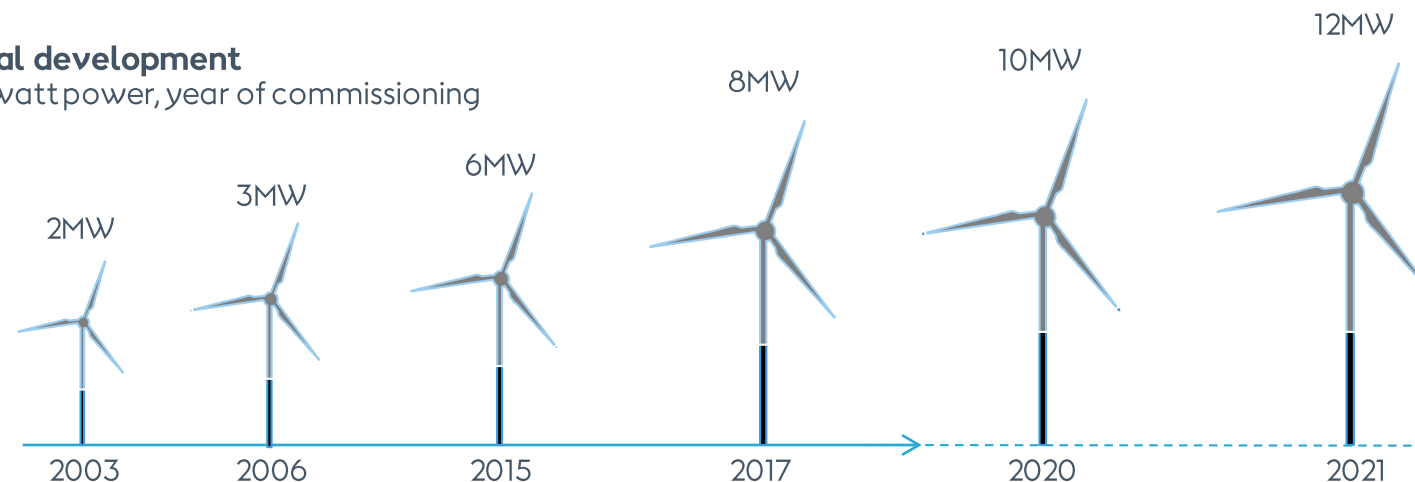
Large-scale projects **create incentives to draw supply chain/OEMs** and to grow local economy

Leading on new technology use: first to **deploy 6, 7 and 8MW turbines**

Achieved **63% cost reductions** over the past 6 years in Europe

Rapid technological development

Wind turbine megawatt power, year of commissioning





Bay State Wind: Leadership in Permitting Approvals



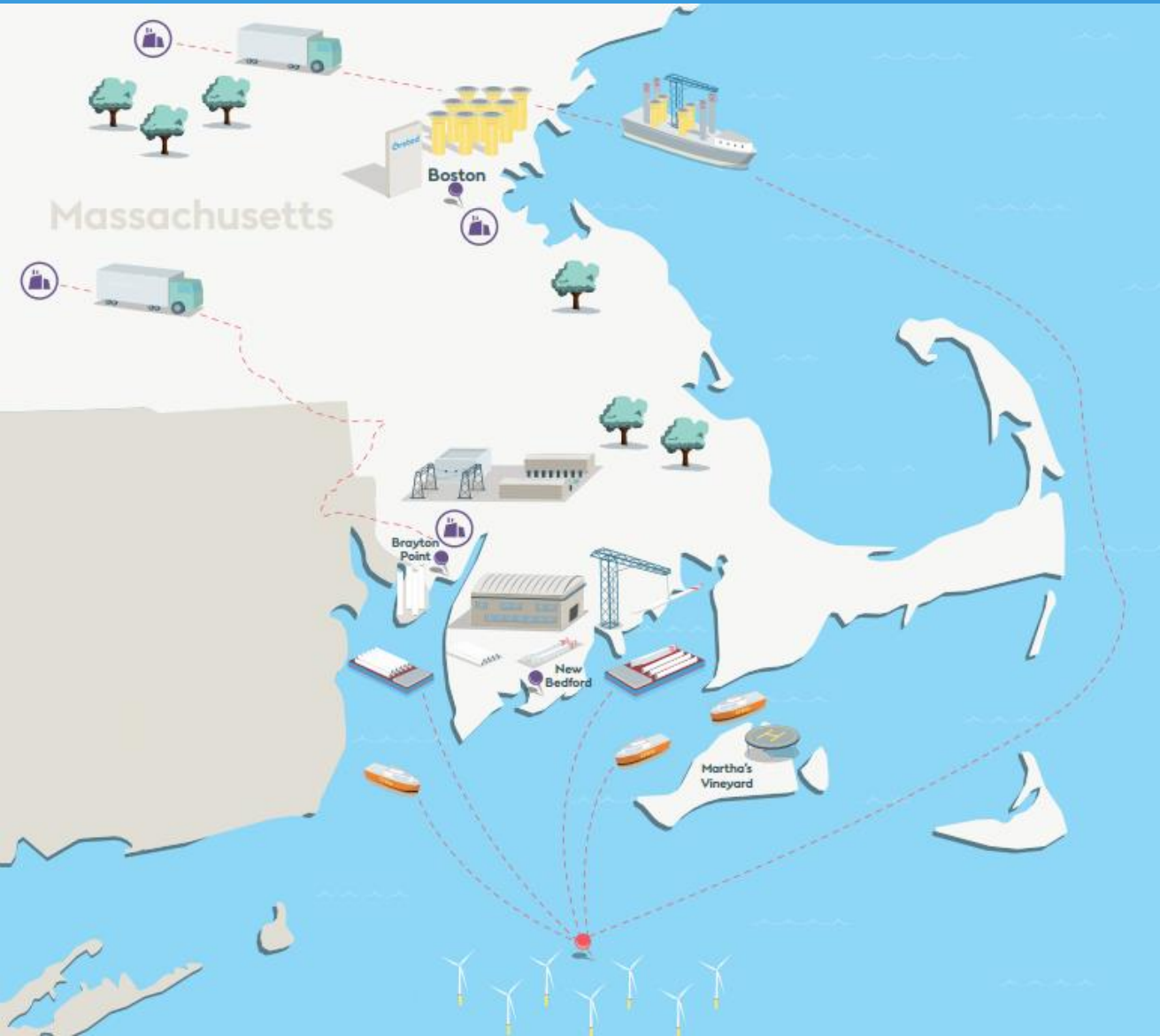
We're the first:

- + To receive **BOEM's Site Assessment Plan (SAP)** approval
- + To deploy FLIDARs and single metocean/current buoy to **measure wind speed and wave height**
- + In queue to use **Brayton Point** as interconnection point
- + And, the **only** to be designated under the **Department of Interior's Fixing America's Surface Transportation Act (FAST-41)**





Bay State Wind: Driving Local Economic Development



+ Global clout to **attract manufacturing investments** that launches a **new American industry**, right here in Massachusetts

+ **\$30 million** in lease payments, fees and taxes

+ Create **1,200+ annual jobs** directly, and thousands more indirectly

We bring decades of offshore wind project relationships, with track record & impact to attract supply chain.



Bay State Wind: Committed to Massachusetts



BOYS & GIRLS CLUB



+ \$17.5 million in low-income energy assistance

Bay State Wind: Environmental Stewardship



Protecting
North Atlantic
Right Whale



Conserving
fisheries & other
marine life

Offshore Avian
Surveys

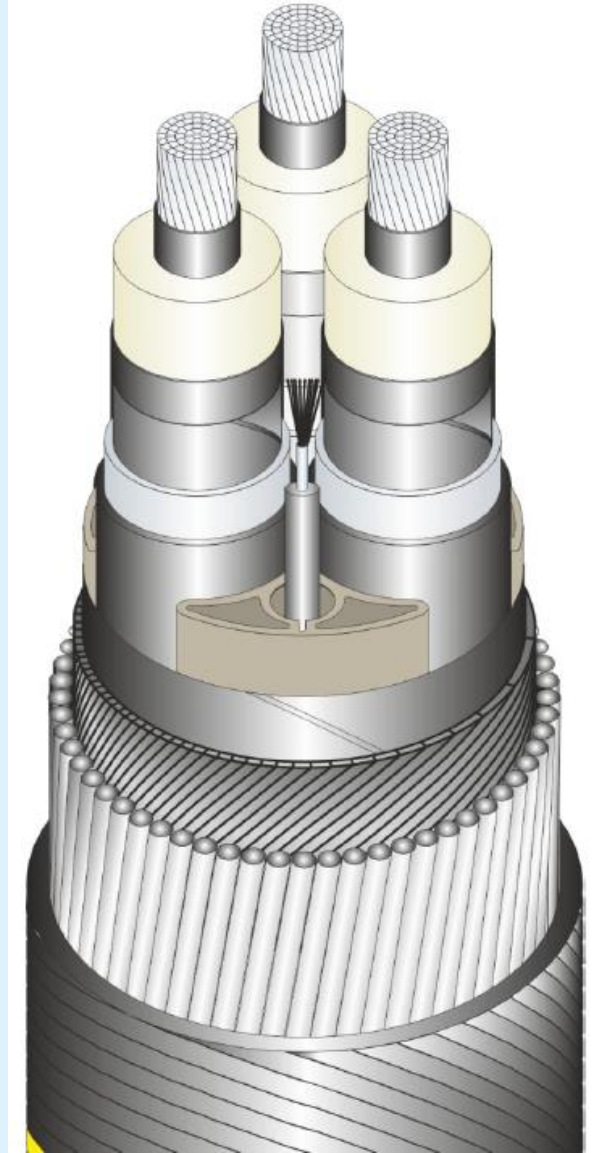
Benthic Species
and Habitat
Surveys



- +Environmental stewardship is our core principle: we believe the world should run on **green energy**
- +Seamlessly collaborated and coexisted with the **fishing community** and **marine life** for 25+ years
- +Hired a dedicated **marine biologist** focusing on the North Atlantic Right Whale

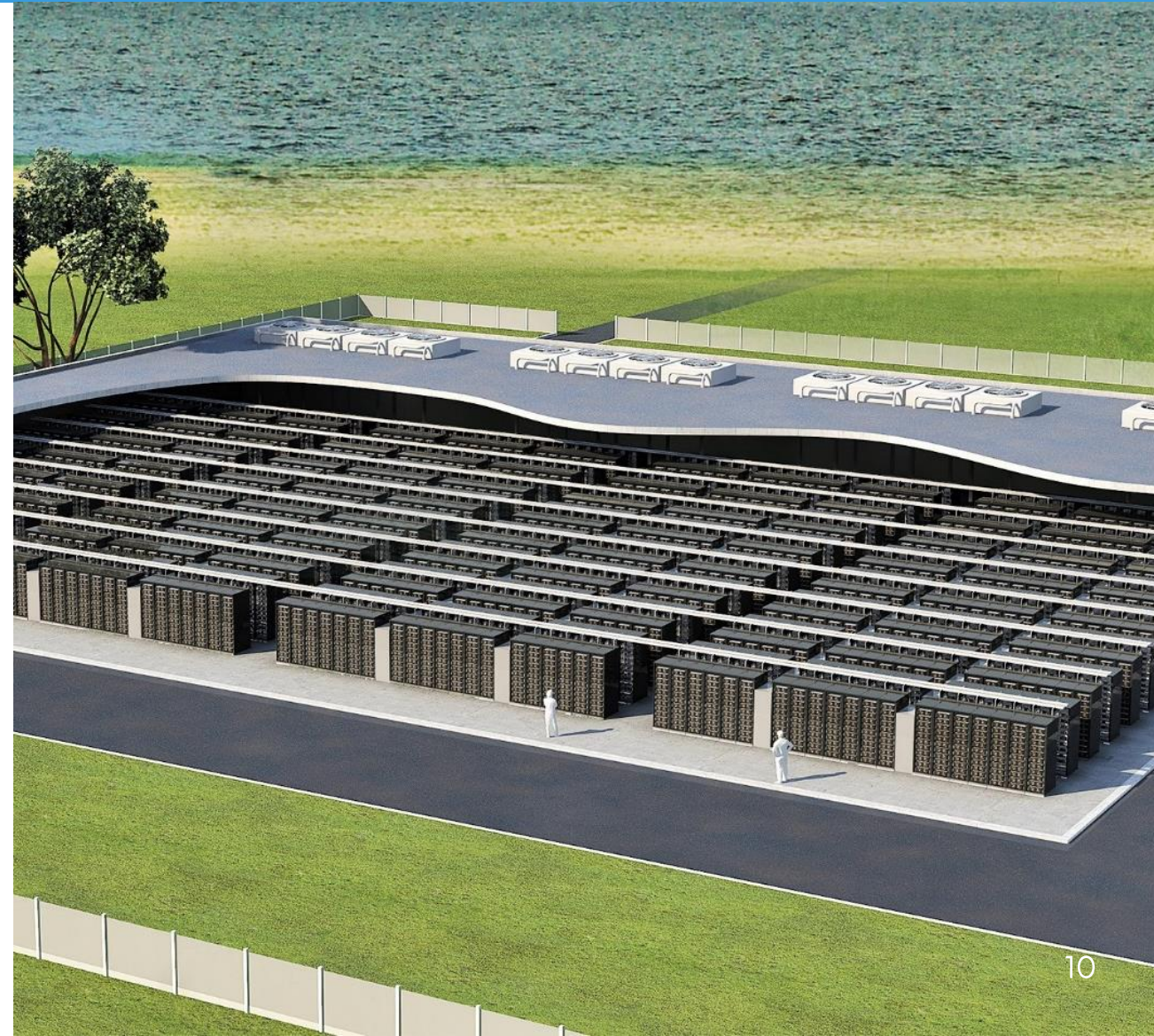
Bay State Wind: Transmission Solution

- + Ørsted is the **world's most experienced developer** of offshore transmission
- + Employing the **most powerful AC cables** (275 kV) to an offshore wind farm, **reducing** number of cables with cost & environmental impact reductions
- + Interconnection at **Brayton Point**: strongest, most robust section of the grid
- + Modular, coordinated transmission for **cost-effective, on-schedule** development



Bay State Wind: Innovator in Battery Storage

- + **World's largest** energy storage system paired with wind generation: **55 MW**, 110 MWh storage system
- + Partnering with **NEC Energy Solutions**, a Massachusetts-based energy company
- + **Ensuring power during peak hours: \$300 million** estimated annual winter price reduction benefits



Why Bay State Wind?



Global leader in offshore wind
+ premier transmission builder in
New England



Proven track record of
successful projects for more
than 25 years



800MW utility-scale project
keeps costs in check and
attracts local investment



Global innovation and local
know-how to make
Massachusetts the U.S. hub



Committed to Massachusetts
for the long haul



Thank you

Visit us at: www.baystatewind.com

Follow us: @BayStateWind
@Tbros16
@OrstedNA
@EversourceMA